

KEY FEATURES

- Power Module for PCB Mountable
- High Efficiency up to 89%
- 4:1 Wide Input Range
- Regulated Output
- Low Ripple and Noise
- Remote ON/OFF Control
- Operating Temperature: -40°C...+70°C (with derating)
- Very Small Size :1.0 x 1.0 x 0.433 Inches
- Screw Terminal For Optional
- 3-Years Product Warranty



ELECTRICAL SPECIFICATIONS

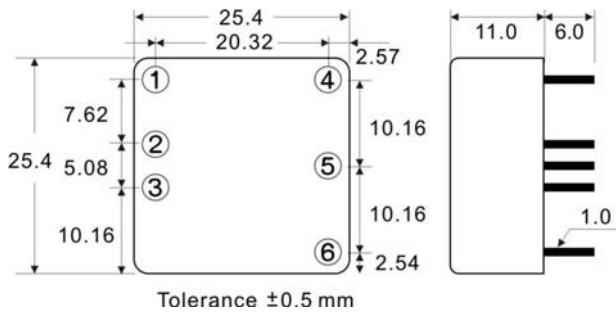
All specifications valid at normal input voltage, full load and +25°C after warm-up time unless otherwise stated.

Model No.		SW30-24F-5S SW30-48F-5S	SW30-24F-12S SW30-48F-12S
Max Output Wattage (W)		30 W	
Input	Voltage (V.DC.)	SW30-24F-xS : 24V (9-36V) / SW30-48F-xS : 48V (18-75V)	
	Input Filter	L-C type	
Output	Voltage (V.DC.)	5V	12V
	Trim Voltage Range	±10%	
	Voltage Accuracy	±2%	
	Current (mA) max	6000	2500
	Line Regulation (LL-HL) (typ.)	±0.5%	
	Load Regulation (10-100%) (typ.)	±2%	
	Minimum Load	1%	
	Capacitor Load (max.)	In Progress	In Progress
	Ripple & Noise (typ.)	75mV	100mV
	Efficiency	SW30-24F-xS	89%
SW30-48F-xS		89%	89%
Protection	Over Power Protection	Auto-recovery	
	Over Voltage Protection	Zener diode clamp	
	Short Circuit Protection	Auto-recovery	
Isolation	Voltage	1600 VDC.	
	Resistance	10 ⁸ ohms	
	Capacitance	1000 pF	
Environment	Operating Temperature	-40°C...+70°C (with derating)	
	Storage Temperature	-55°C...+105°C	
	Case Temperature	+105°C max.	
	Temperature Coefficient	±0.05%/°C	
	Humidity	95% RH	
	MTBF	>800,000 h @ 25°C (MIL-HDBK-217F)	
Physical	Dimension (L x W x H)	1.0 x 1.0 x 0.433 Inches (25.4 x 25.4 x 11.0 mm) Tolerance ±0.5 mm	
	Case Material	Five-side shielded Aluminum with Non-Conductive base, Black Anodize	
	Weight	In Progress	
	Cooling Method	Free-air convection	
Remote ON/OFF	DC-DC ON	Open	
	DC-DC OFF	When -DC IN and ON/OFF CTL is Short	

NOTE

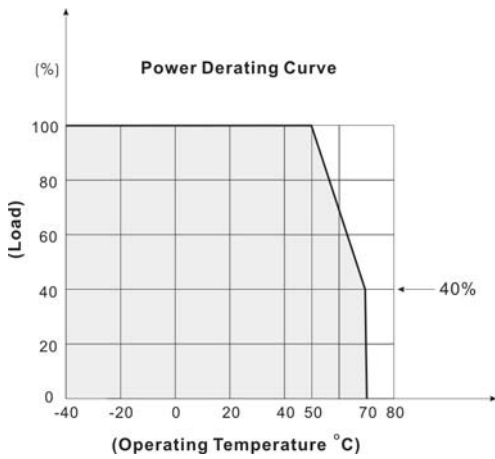
1. Ripple & Noise are measured at 20MHz of bandwidth with 0.1uF & 47uF parallel capacitor.
2. Please refer to our PDF file "DC-DC Application" on our website: www.archcorp.com.tw

MECHANICAL DIMENSION (Top View)

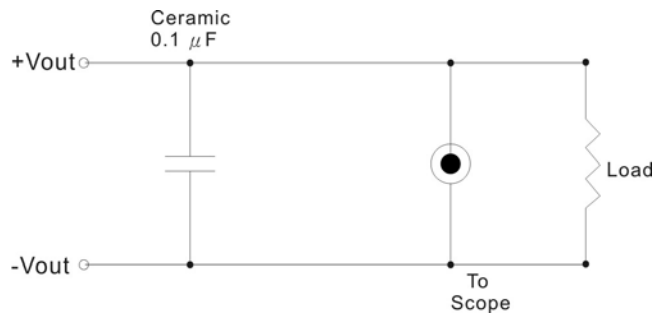


PIN#	Single
1	CTRL
2	-DC IN
3	+DC IN
4	-DC OUT
5	TRIM
6	+DC OUT

DERATING

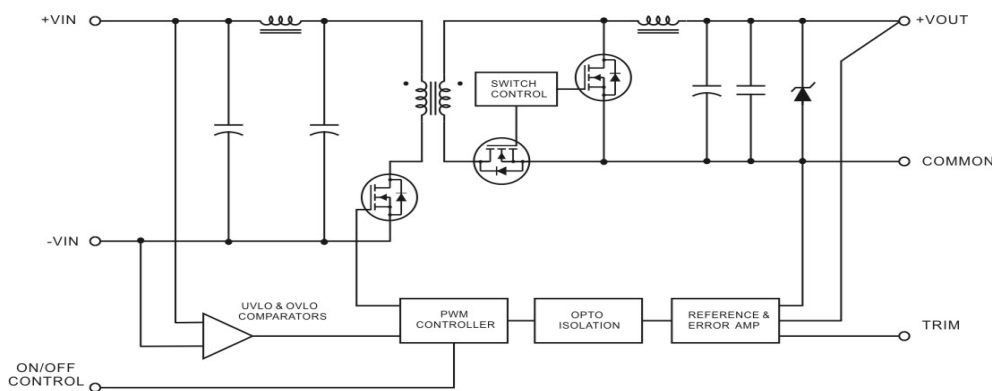


OUTPUT NOISE



The output noise is measured with 0.1μF tantalum capacitor.

BLOCK DIAGRAM



SW30 SERIES

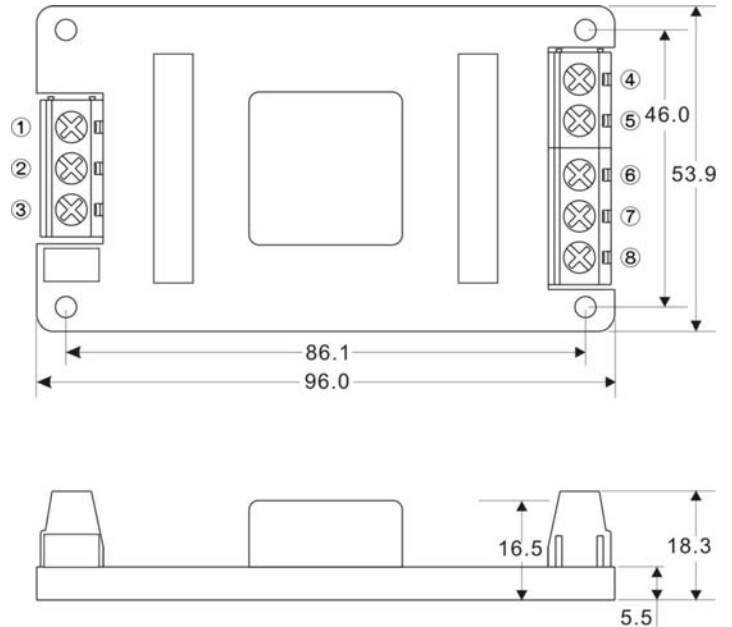
30 Watts

SCREW TERMINAL

SW30-A2



PIN#	Single
1	CTRL
2	-DC IN
3	+DC IN
4.	-DC OUT
5	NO CONNECT
6	NO CONNECT
7	NO CONNECT
8	+DC OUT



SW30-A5



PIN#	Single
1	CTRL
2	-DC IN
3	+DC IN
4.	-DC OUT
5	NO CONNECT
6	NO CONNECT
7	NO CONNECT
8	+DC OUT

