

KEY FEATURES

- Switching Power Module for PCB Mountable
- Fully Encapsulated Plastic Case
- Universal Input Range 90-264VAC, 50 / 60 Hz
- No-Load Watts < 0.1W
- Ultra Compact Size: 1.08" x 1.08" x 0.736" Inches
- Isolation Class II
- CE, CB, UL Approval
- 3-Year Product Warranty


ELECTRICAL SPECIFICATIONS

All specifications valid at normal input voltage, full load and +25°C after warm-up time unless otherwise stated.

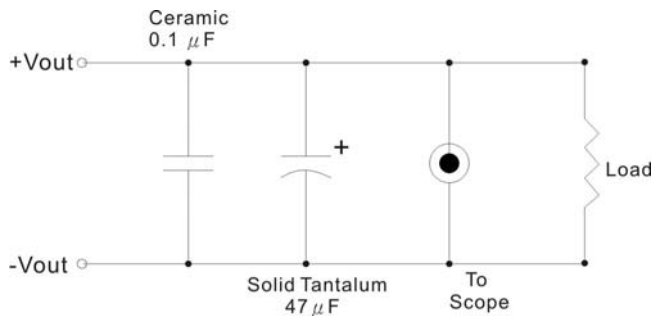
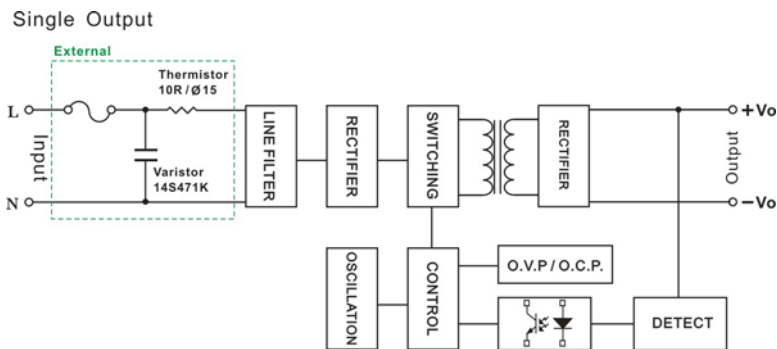
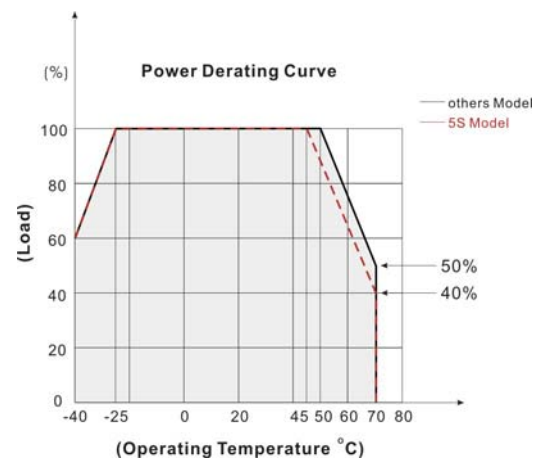
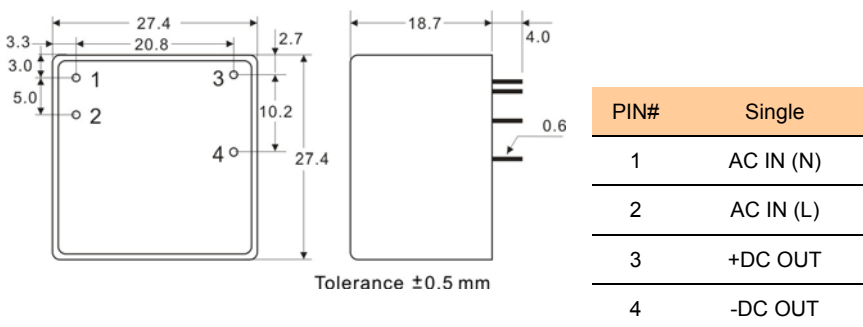
Model No. (Single Output)	AUC-5S	AUC-12S	AUC-15S	AUC-24S
Max Output Wattage (W)	6.3W	7W		
Input	Voltage			
	90-264 VAC or 120-370 VDC, "N" to DC "+"; "L" to DC "-"			
	Frequency (Hz)			
	50 / 60 Hz			
	Current (Full load)			
	180 mA max. (115 VAC) / 110 mA max. (230 VAC)			
Inrush Current (Note 4.)				
20 A max. (115 VAC) / 40 A max. (230 VAC)				
Leakage Current				
0.25 mA max. (at <240 VAC).				
External Fuse (mandatory)				
2 A slow blow type				
Output	Voltage (V.DC.)			
	5V	12V	15V	24V
	Voltage Accuracy			
	±2%			
	Current (mA) max			
	1260	583	466	292
	Line Regulation (LL-HL) (typ.)			
	±0.5%			
	Load Regulation (10-100%) (typ.)			
	±1%.			
Minimum Load				
0%				
Maximum Capacitive Load				
3300uF	1000uF	470uF	68uF	
Ripple				
<100mV (Vp-p)				
Noise				
<150mV (Vp-p)				
Efficiency (at 230 VAC)				
77%	80%	80%	80%	
Hold-up Time (at 230 VAC)				
30 ms min.				
Protection	Over Power Protection			
	Hiccup technique, auto-recovery			
Short Circuit Protection				
Hiccup mode, indefinite (automatic recovery)				
Isolation	Input-Output (V.AC)			
3000V				
Environment	Operating Temperature			
	-40°C...+70°C (with derating)			
	Storage Temperature			
	-40°C...+85°C			
	Temperature Coefficient			
±0.02%/°C				
Humidity				
95% RH				
MTBF				
>500,000 h @ 25°C (MIL-HDBK-217F)				
Physical	Dimension (L x W x H)			
	1.08 x 1.08 x 0.736 Inches (27.4 x 27.4 x 18.7 mm) Tolerance ±0.5 mm			
	Case Material			
	Plastic resin (flammability to UL 94V-0)			
Weight				
26 g				
Cooling Method				
Free air convection				
Safety	Agency Approvals			
CE, UL, cUL				
EMC	EMI (Conducted & Radiated Emission)			
	EN 55032 class B			
EMS (Noise Immunity)				
EN 55024				

NOTE

1. All specifications valid at normal input voltage, full load and +25°C after warm-up time unless otherwise stated.
2. Ripple & Noise are measured at 20MHz of bandwidth with 0.1uF & 47uF parallel capacitor.
3. It's necessary Varistor 14S471K at L / N input side in parallel.
4. It's necessary 10R / 15φ thermistor at L input side in series connection.
5. Please refer to our PDF file "AC-DC Application" on our website: www.archcorp.com.tw

OUTPUT NOISE

The output noise is measured with 47μF tantalum capacitor and 0.1μF ceramic capacitor across output.


BLOCK DIAGRAM

DERATING

MECHANICAL DIMENSION (Top View)


Customer is recommended to reserve pad points of 1.0mm in diameter for AC IN (L) and AC IN (N)

