

KEY FEATURES

- Switching Power Module for PCB Mountable
- Fully Encapsulated Plastic Case
- Universal Input Range 90-264VAC, 47-440 Hz
- Regulated Output
- Low Ripple and Noise
- CE, UL Approval
- 3-Year Product Warranty



ELECTRICAL SPECIFICATIONS

All specifications valid at normal input voltage, full load and +25°C after warm-up time unless otherwise stated.

Model No. (Single Output)	ANC-5S A	ANC-12S A	ANC-15S A	ANC-24S A
Max Output Wattage (W)	15W	15W	15W	15W
Input	Voltage			
	90-264 VAC or 120-370 VDC			
	Frequency (Hz)			
	47-440 Hz			
	Current (Full load)			
	310 mA max. (115 VAC) / 170 mA max. (230 VAC)			
Inrush Current (<2ms)				
10 A max. (115 VAC) / 20 A max. (230 VAC)				
Leakage Current				
0.75 mA max.				
External Fuse (recommend)				
1.5 A slow blow type				
Output	Voltage (V.DC.)			
	5V			
	12V			
	15V			
	24V			
	Voltage Accuracy			
	±2%			
	Current (mA) max			
	3000			
	1250			
1000				
625				
Line Regulation (LL-HL) (typ.)				
±0.5%				
Load Regulation (5-100%) (typ.)				
±0.5%				
Minimum Load				
4%				
2%				
0%				
0%				
Maximum Capacitive Load				
31000 uF				
4500 uF				
2700 uF				
900 uF				
Ripple				
<0.2% Vout +40mV max (Vp-p)				
Noise				
<0.5% Vout +50mV max (Vp-p)				
Efficiency				
74%				
79%				
78%				
80%				
Hold-up Time				
15 ms min.				
Protection	Over Power Protection			
	Hiccup technique, auto-recovery			
	Over Voltage Protection			
Zener diode clamp				
Short Circuit Protection				
Hiccup mode, indefinite (automatic recovery)				
Isolation	Input-Output (V.AC)			
	3000V			
	Input-FG (V.AC)			
1500V				
Output-FG (V.AC)				
500V				
Environment	Operating Temperature			
	-25°C...+70°C (with derating)			
	Storage Temperature			
	-40°C...+85°C			
	Temperature Coefficient			
±0.02%/°C				
Humidity				
95% RH				
MTBF				
>200,000 h @ 25°C (MIL-HDBK-217F)				
Physical	Dimension (L x W x H)			
	2.91 x 2.13 x 0.86 Inches (74.1 x 54.1 x 21.8 mm) Tolerance ±0.5 mm			
	Case Material			
	Plastic resin (flammability to UL 94V-0)			
Weight				
114 g				
Cooling Method				
Free air convection				
Safety	Agency Approvals			
UL/cUL, CE				
EMC	EMI (Conducted & Radiated Emission)			
	EN 55032 class B			
EMS (Noise Immunity)				
EN 55024				

ELECTRICAL SPECIFICATIONS

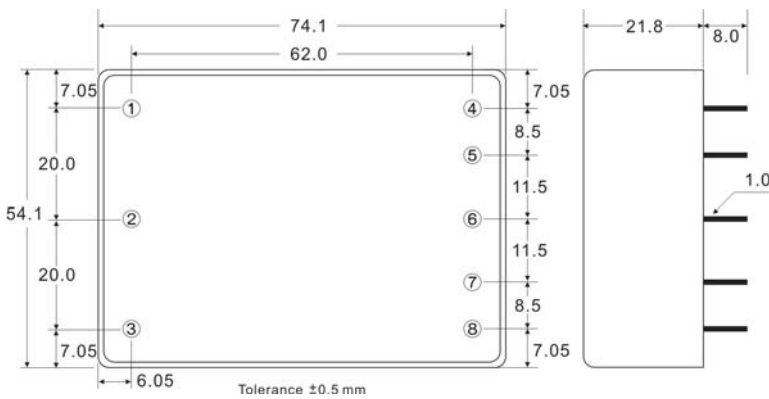
All specifications valid at normal input voltage, full load and +25°C after warm-up time unless otherwise stated.

Model No. (Dual / Triple Output)	ANC-5D A	ANC-12D A	ANC-15D A	ANC-5S12D A	ANC-5S15D A			
Max Output Wattage (W)	15W	15W	15W	15W	15W			
Input	Voltage							
	90-264 VAC or 120-370 VDC							
	Frequency (Hz)							
	47-440 Hz							
	Current (Full load)							
	310 mA max. (115 VAC) / 170 mA max. (230 VAC)							
Inrush Current (<2ms)								
10 A max. (115 VAC) / 20 A max. (230 VAC)								
Leakage Current								
0.75 mA max.								
External Fuse (recommend)								
1.5 A slow blow type								
Output	Voltage (V.DC.)		±5V	±12V	±15V	5/±12	5/±15	
	Voltage Accuracy		±5%		±3%			
	Current (mA) max		±1500	±650	±500	2000/±200	2000/±150	
	Line Regulation (LL-HL) (typ.)		±0.5%		±1% / ±5%			
	Load Regulation (5-100%) (typ.)		±3%		±2% / ±5%			
	Minimum Load		0%		5V 10% (200 mA)			
	Maximum Capacitive Load		±13500 uF	±2700 uF	±1400 uF	14000 / ±900 uF	14000 / ±680 uF	
	Ripple		<0.2% Vout +40mV max (Vp-p)					
	Noise		<0.5% Vout +50mV max (Vp-p)					
	Efficiency		76%	79%	77%	73%	73%	
	Hold-up Time		15 ms min.					
	Protection	Over Power Protection		Hiccup technique, auto-recovery				
Over Voltage Protection		Zener diode clamp						
Short Circuit Protection		Hiccup mode, indefinite (automatic recovery)						
Isolation	Input-Output (V.AC)		3000V					
	Input-FG (V.AC)		1500V					
	Output-FG (V.AC)		500V					
Environment	Operating Temperature		-25°C...+70°C (with derating)					
	Storage Temperature		-40°C...+85°C					
	Temperature Coefficient		±0.02%/°C					
	Humidity		95% RH					
	MTBF		>200,000 h @ 25°C (MIL-HDBK-217F)					
Physical	Dimension (L x W x H)		2.91 x 2.13 x 0.86 Inches (74.1 x 54.1 x 21.8 mm) Tolerance ±0.5 mm					
	Case Material		Plastic resin (flammability to UL 94V-0)					
	Weight		114 g					
	Cooling Method		Free air convection					
Safety	Agency Approvals		UL/cUL, CE					
EMC	EMI (Conducted & Radiated Emission)		EN 55032 class B					
	EMS (Noise Immunity)		EN 55024					

NOTE

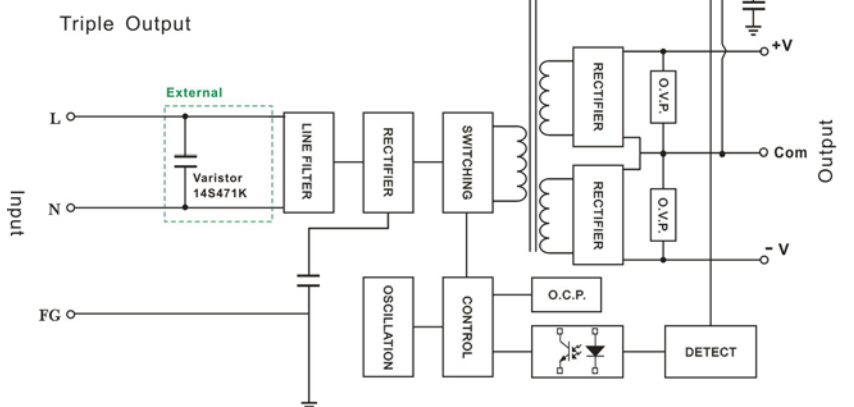
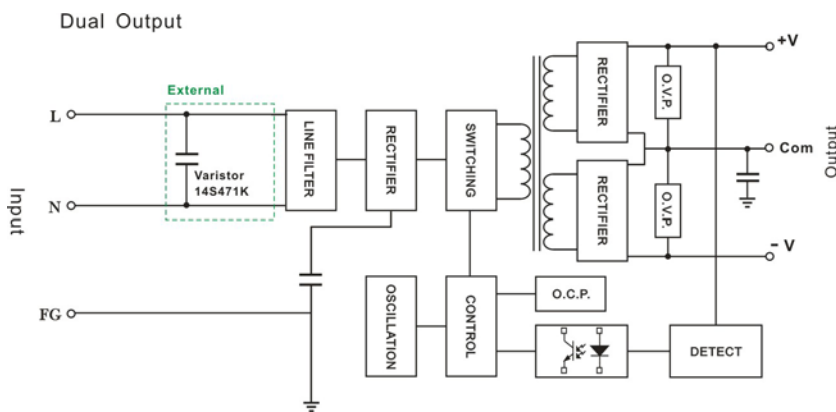
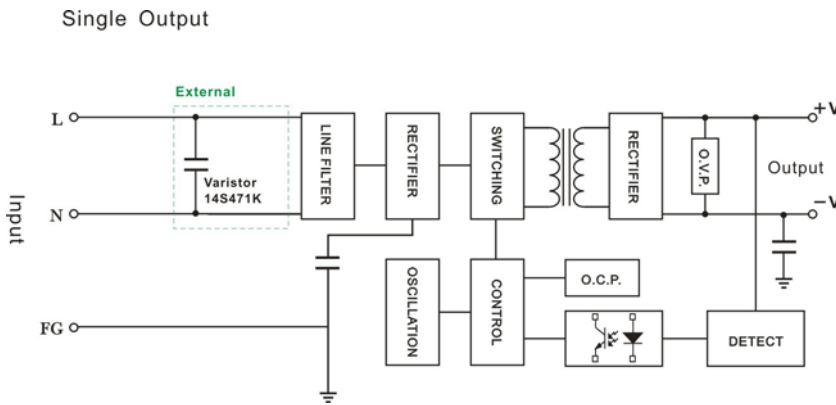
1. Ripple & Noise are measured at 20MHz of bandwidth with 0.1uF & 47uF parallel capacitor.
2. It's recommended to add Varistor 14S471K at L / N input side in parallel.
3. Please refer to our PDF file "AC-DC Application" on our website: www.archcorp.com.tw

MECHANICAL DIMENSION (Top View)



PIN#	Single	Dual	Triple
1	FG	FG	FG
2	AC IN (N)	AC IN (N)	AC IN (N)
3	AC IN (L)	AC IN (L)	AC IN (L)
4	NO PIN	NO PIN	-DC OUT
5	-DC OUT	-DC OUT	COMMON
6	NO PIN	COMMON	+DC OUT
7	+DC OUT	+DC OUT	+5V RTN
8	NO PIN	NO PIN	+5V OUT

BLOCK DIAGRAM



DERATING

